



mastering electricity
worldwide

ELEQ GSA

Cast Resin Current Transformers



GSA Cast Resin Current Transformers

GSA Cast Resin Current Transformers: Perfect, safe design offering full flexibility in housing

GSA cast resin current transformers can be used for a variety of measuring, revenue metering (billing) and protection tasks. If the busbar systems or medium voltage cables are sufficiently insulated, these current transformers can be used for insulation levels higher than $U_m = 0,72\text{kV}$ (Highest voltage for equipment U_m). The ring-type current transformer for outdoor use is also available on request (GSAF).

The current transformers are made of toroidal, soft magnetic, highly permeable tape-wound cores. The cores being uniformly wound with copper wire. For larger current strengths the cores come with stabilising windings to counteract the influence of external fields. Depending on the customer requirements each housing can accommodate up to five cores.

The output terminals are equipped with M5 screws. Protection against accidental contact is provided by a transparent polycarbonate cap. The modular mould system of the GSA permits almost any combination of housing and window sizes. To guarantee the mechanical and electrical resistance of the transformers they are encapsulated in a cast-resin housing with polyurethane. The GSA ring-type current transformers are equipped with two base plates as standard that allow them to be mounted in any position. They require no maintenance. In addition, for the outdoor transformers the output terminals are covered with an aluminium terminal box protected to IP54. Wire entry is via a PG16 threaded conduit in the terminal box.

When the current transformers need to be installed in locations with heavy vibration (for example, generator terminal boxes) the secondary terminals and the two base plates are reinforced in the resin housing (GSAG).

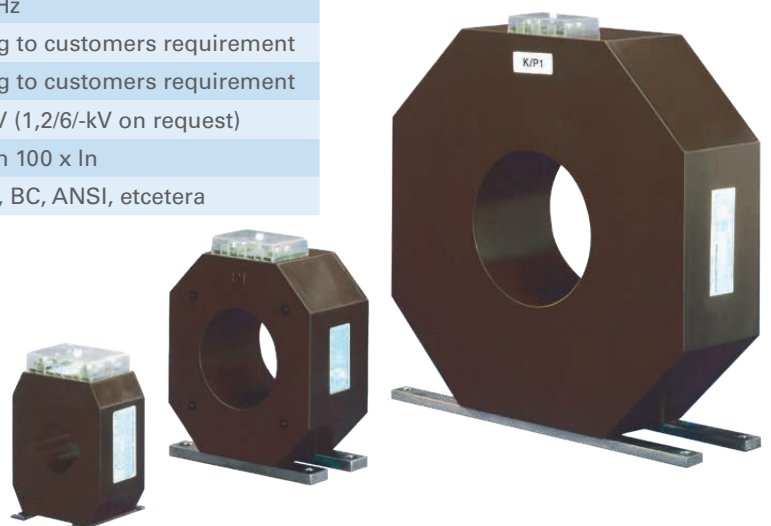
During the final inspection at ELEQ the current transformers are always subjected to a routine test in accordance with the relevant national and international standards.

Caution: if current transformers are operated open-circuited on the secondary side, extremely high voltages can be generated with resultant damage to equipment and personnel!

General technical data

Rated primary current	20...10000A
Rated secondary current	1A, 5A
Rated frequency	50Hz, 60Hz
Rated burden	according to customers requirement
Accuracy class	according to customers requirement
Rated insulation level	0,72/3/-kV (1,2/6/-kV on request)
Rated short-time thermal current	minimum $100 \times I_n$
Standard	VDE, IEC, BC, ANSI, etcetera

Other options available on request



Reliable, all-purpose transformers

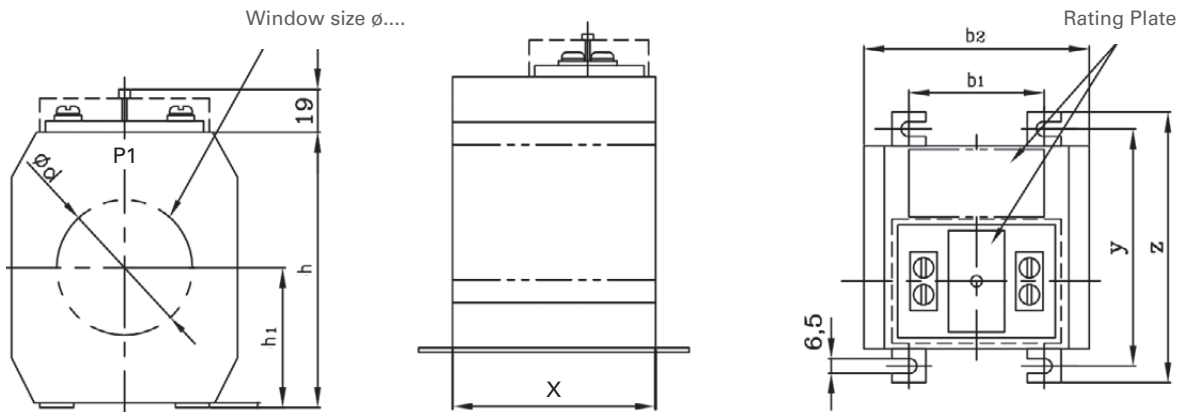
Dimensions GSA100, 110 and 120

Type	b1	b2	h	h1	dmax.	sizes*
GSA 100/...	60	100	122	62	50	A-C+*
GSA 110/...	60	110	122	62	60	A-C
GSA 120/...	60	120	137	62	65	A-D

* See table for the available sizes per GSA-type

Possible sizes

	x	y	z
A	60	75	90
B	90	105	120
C	120	135	150
*	100	115	130



Dimensions remaining GSA's

Type	b1	b2	b3	h	h1	h2	dmax.	v	sizes*
GSA 135/...	130	135	150	150	75	10	90	9	A-E
GSA 150/...	130	150	150	170	85	10	90	9	A-D
GSA 170/...	150	170	170	185	92,5	10	110	11	A-E
GSA 200/...	180	200	200	235	117,5	10	140	11	A-G
GSA 250/...	230	250	250	290	145	10	150	11	B-G
GSA 300/...	280	300	300	340	170	10	210	11	B-G
GSA 350/...	330	350	350	390	195	10	250	11	B-G
GSA 400/...**	370	400	400	400	200	10	290	11	C-G
GSA 500/...**	440	500	500	500	250	15	350	13	E-G

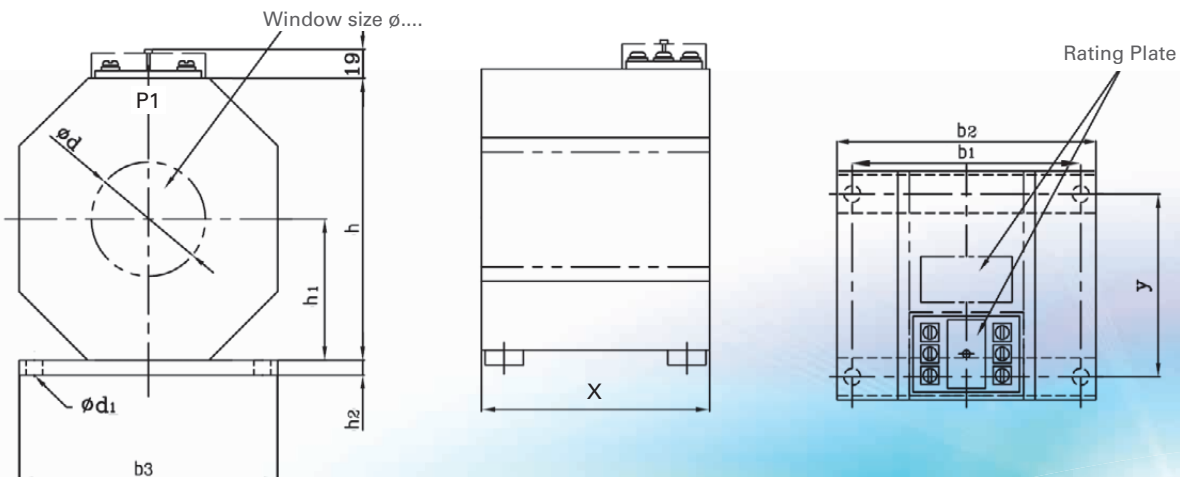
Possible sizes

	x	y
A	60	30
B	90	60
C	120	90
D	150	120
E	200	170
F	250	220
G	300	270

Small deviations in dimension and construction possible

* See table for the available sizes per GSA-type

** Equipped with one-piece base plate





mastering electricity
worldwide

ELEQ designs and manufactures smart electrotechnical applications for protecting, measuring and connecting electrical energy and works worldwide for renowned power companies, system builders and installers. Together with our clients we anticipate on the future and on required innovations.

ELEQ is a true producer and partner of clients and relations who are professionally involved in energy and public lighting systems and who rely on continuous precision and high services.

ELEQ delivers all its products and applications in accordance to the high Dutch and German quality standards and serves markets in Europe and beyond from its locations in the Netherlands (Steenwijk) and Germany (Kerpen).

part of a smart world



ELEQ b.v.
P.O. Box 12, 8330 AA Steenwijk
Tukseweg 130, 8331 LH Steenwijk
The Netherlands

+31 (0) 521 533 333
info@eleq.com
www.eleq.com

Karl-Ferdinand-Braun-Straße 1
50170 Kerpen (Sindorf)
Germany

+49 (0) 22 73 / 988 70
info@eleq.com
www.eleq.com

83283 / GSA-EN1810